

NightStar Court Master

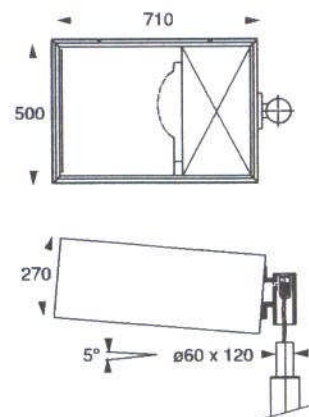
Environmental luminaires Asymmetrical Distribution

IP 54 Splashproof
conforming to DIN, VDE, IEC.
Class I.

This architectural luminaire offers excellent spill light control while providing ideal light distribution for sporting applications.

The streamlined body offers an aesthetically pleasing luminaire and is ideal for low mounting situations such as tennis courts etc.

- **Housing** : one piece corrosion resistant die-formed aluminium uni-body construction completely water tight.
- **Control gear** : a separate tray but integral part of the main housing contains ballast, ignitor, capacitor and lampholder VDE approved.
- **Reflector** : anodised high purity aluminium reflector chemically brightened providing wide beam bi-symmetrical light distribution.
- **Lens assembly** : 5 mm. tempered glass lens fully contained in extruded aluminium frame. The silicone sealed and gasketed lens assembly is mounted to the housing with concealed hinges and secured with stainless steel screws.
- **Colours** : an electro-statically applied powder coat which is oven cured to a hard durable finish in Black RAL 9005 as standard. Other colours available upon consultation.
- To suit spigot 60mm diameter and a minimum 120mm length



SLA Cat No.	Type	Lamp
S51301	Metal Halide CWA	M1000/BT37
S51302	Metal Halide CWA HV	M1000/BT37